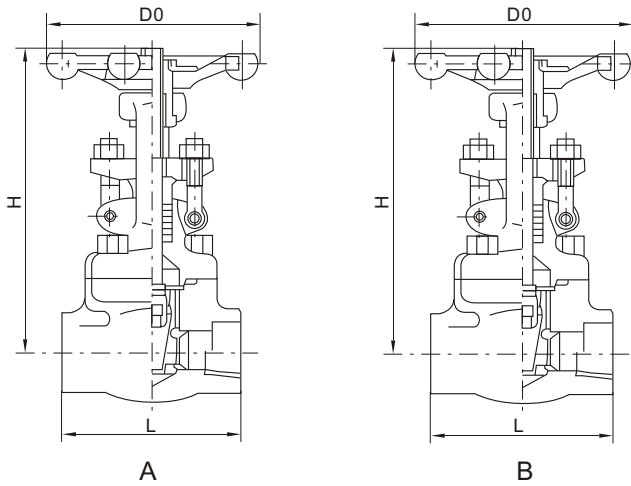


**Construction Features:**

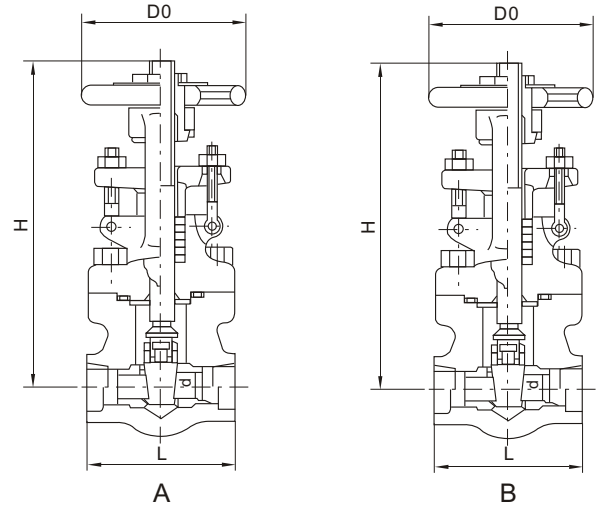
- Bolted or Welded Bonnet
- OS&Y
- Threaded Ends or SW Ends
- Rising Stem
- Rolled-in Seat Ring

**Standards:**

- End Threads: ANSI B1.20.1
- Socket-Weld: ANSI B16.11
- Basic Design: API 602
- Test: API 598



CLASS 150-800



CLASS 1500

**MATERIAL LIST**

Part Name	Material	Qty
Body	A105	1
Seat Ring	A276-410+HF	2
Wedge	A276-420	1
Stem	A276-410	1
Gasket(Spiral Wound)	SS304/Graphite	1
Bonnet	A105	1
Bolt	A193-B7	4
Packing	Grahoil	
Eyebolt Pin	A276-410	2
Gland	A276-410	1
Gland Flange	A105	2
Eyebolt Nut	A194-2H	2
Eyebolt	A276-410	1
Stem Nut	A276-410	1
Washer	A276-430	1
Handwheel	A47	1
Lock Nut	A108-1020	1

Other body and bonnet materials F5 F11 F304 F304L  
F316 F316L and LF2 also available upon request

**DIMENSIONS & WEIGHTS**

Class	Nominal Size	Regular Port	mm(in)	15(1/2)	20(3/4)	25(1)	32(1-1/4)	40(1-1/2)	50(2)	
		Full Port	mm(in)	10(3/8)	15(1/2)	20(3/4)	25(1)	32(1-1/4)	40(1-1/2)	50(2)
150   800	d		mm	10	13	18	24	29	36.5	46.5
			mm	79	92	111	120	120	140	178
	H	A	mm	158	164	194	221	244	282	330
		B	mm	164	170	199	230	244	282	330
	D0		mm	100	100	125	160	160	180	200
		Weingt	A	kg	2.1	2.3	4.0	5.9	6.9	11.2
		B	kg	1.7	2.1	3.7	5.2	6.2	10.4	14.8

**DIMENSIONS & WEIGHTS**

Class	Nominal Size	Regular Port	mm(in)	15(1/2)	20(3/4)	25(1)	32(1-1/4)	40(1-1/2)	50(2)
		Full Port	mm(in)	10(3/8)	15(1/2)	20(3/4)	25(1)	32(1-1/4)	40(1-1/2)
1500	d	A	mm	13.6	13.6	18	24	29	36.5
		B	mm	13.6	13.6	20	25.4	31.2	38.1
	L	A	mm	111	111	114	120	140	162
		B	mm	79	92	111	127	152	171
	H	A	mm	197	197	218	237	274	320
		B	mm	197	197	218	237	274	310
	D0	A	mm	125	125	160	160	180	200
		B	mm	100	100	125	160	160	180
	Weingt	A	kg	46	4.3	6.3	8.7	12.1	17.2
		B	kg	3.9	3.9	5.8	7.8	11.2	160